

# High Performance Video Solutions...

# RS232 Adder Box

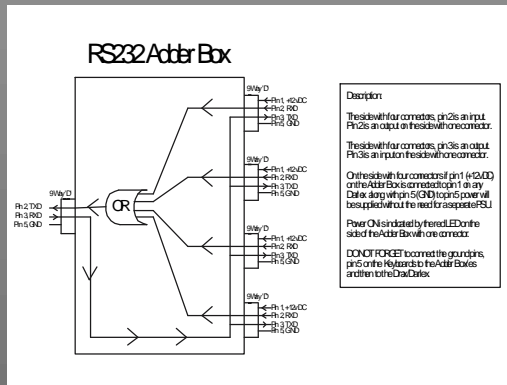


## features

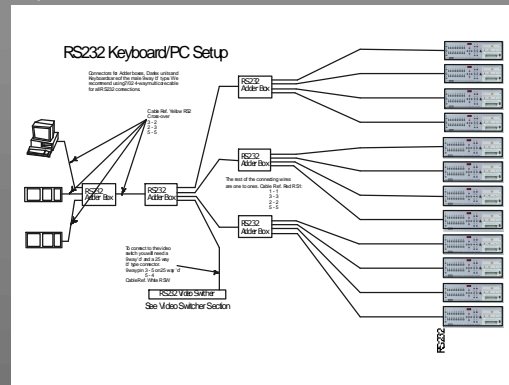
- This Buffer splits 1x RS232 signal into 4.
- Control of multiple units with one keyboard.
- Control multiple units from multiple keyboards.

## Technical Diagrams

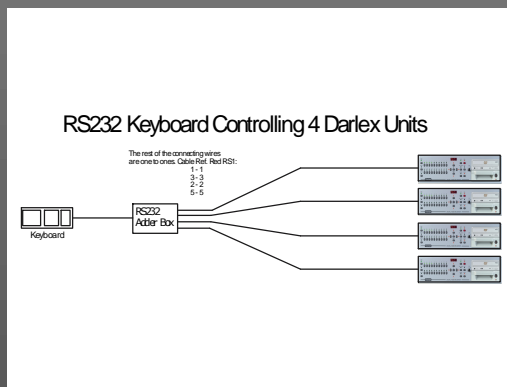
ADDERBOX + PIN OUTS



KB/PC ADD SETUP



KB4 UNITS ADD



TECHNICAL INFORMATION

<b>Dimensions</b>	(W)160 X(D)92 X(H)50mm (W)6.2 X (D)3.6 X (H)1.9"
<b>Power Supply</b>	12vDC 800mA (If the Adder box is connected to a Darlex power is supplied without the need of a PSU)
<b>Weight</b>	220g or 1lb

